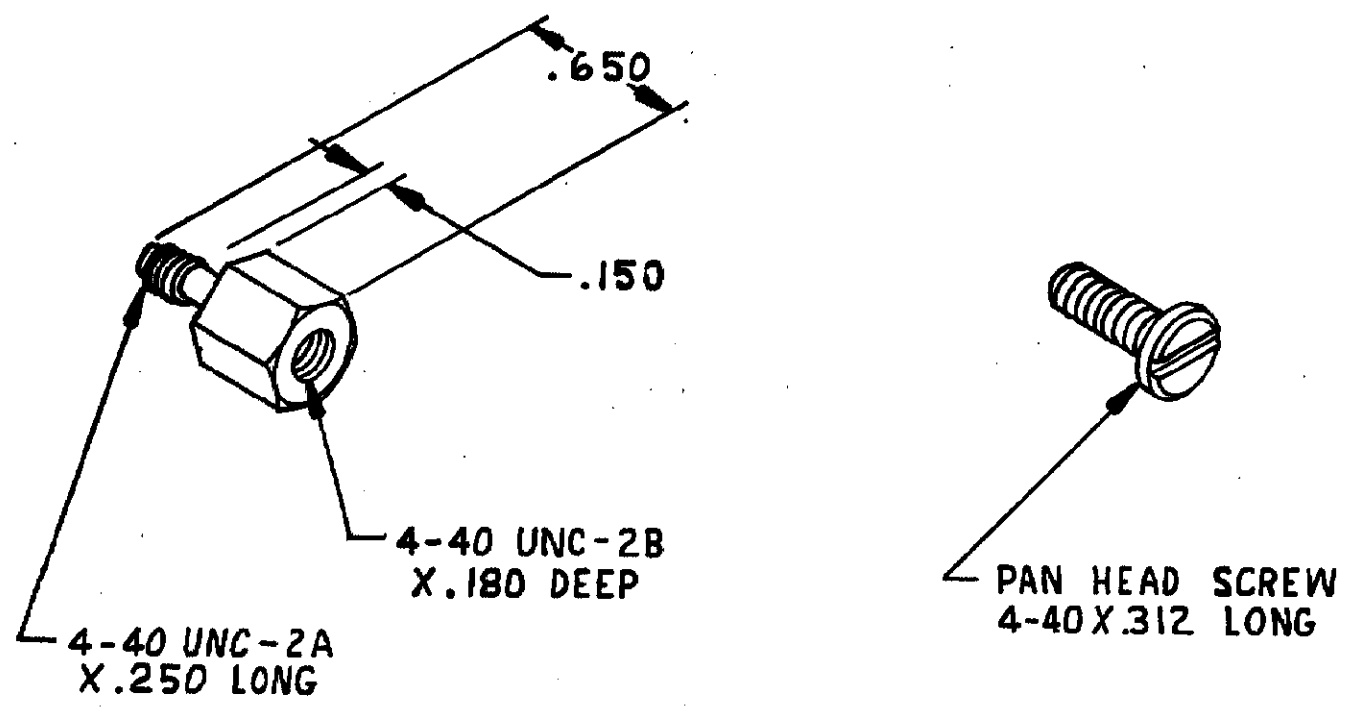


THIS DRAWING IS UNPUBLISHED, RELEASED FOR PUBLICATION, 19  
 © COPYRIGHT 19 BY AMP INCORPORATED, HARRISBURG, PA. ALL INTERNATIONAL RIGHTS RESERVED. AMP PRODUCTS MAY BE COVERED BY U.S. AND FOREIGN PATENTS AND/OR PATENTS PENDING.

AA 15/2

REVISIONS						
P	F	ZONE	LTR	DESCRIPTION	DATE	APPROVED
B			B	REV ECN AA-3022	8-29-86	VS



1. ALL DIMENSIONS SHOWN ARE FOR REFERENCE ONLY UNLESS OTHERWISE SPECIFIED.
2. TWO PIECES OF EACH REQUIRED PER KIT.
3. ALL HARDWARE SHIPPED UNASSEMBLED.
- 4 MATERIAL: MOUNTING STUD-ZINC PLATE WITH YELLOW CHROMATE OVER STEEL. PAN HEAD SCREW-PASSIVATED STAINLESS STEEL.

554272-1 AS SHOWN

UNLESS OTHERWISE SPECIFIED DIMENSIONS ARE IN INCHES. TOLERANCES ON: DECIMALS ± ANGLES ±		CONTRACT NO		PART NO	
MATERIAL		DR <i>N. Whiteheart</i>		AMP   AMP INCORPORATED Harrisburg, Pa.	
FINISH		CHK <i>MDriel 8-22-83</i>		NAME HARDWARE KIT, EMI, PRE-ASSEMBLED, RIGHT ANGLE, 4-40, SCREW LOCK	
		APPR <i>SNY 8-22-83</i>		SIZE <b>B</b>	FSCM NO 00779
		APPR <i>SNY 8-22-83</i>		DRAWING NO 554272	
		DSGN APPD		SCALE 2:1	
		OTHER APPD		SHEET 1 OF 1	